

LUUPO SP. Z O.O.
2024



Product Catalog

MECHANISMS AND FITTINGS
FOR UPHOLSTERED FURNITURE



ABOUT US

We are pleased to introduce you to our company as one of the most dynamically developing companies in Poland.

Luupo is a company based in Lubicz near Toruń, specializing in the production of a wide range of products including a catalog of carts, lifters, hinges, as well as legs and bases for upholstered and non-upholstered furniture.

We supply our products to many countries in Europe. Both domestic companies located in Poland and those outside our country, such as sunny Portugal and picturesque Romania, benefit from our long experience. We are a leading supplier to top furniture manufacturers in Poland and Europe.

We have a specialized design department, a prototyping shop and our own locksmith and powder paint shop. This ensures high production efficiency and detailed quality control of our products at every stage of production.

If your company needs reliable access to top-quality furniture solutions and the support of experienced experts, Luupo can help you realize your grandest projects. We are open to individual projects and customer realizations.

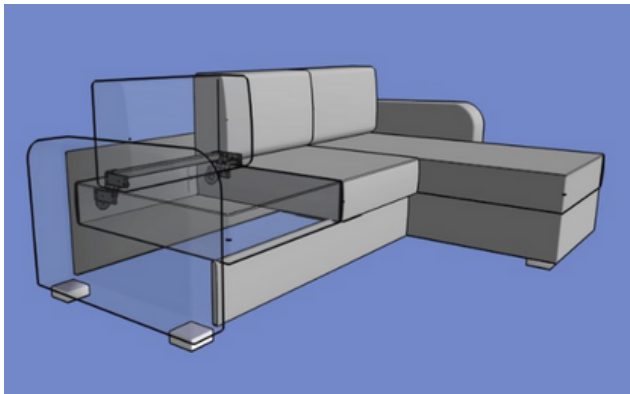
Feel free to contact us directly. Together we will take a closer look at your case.



MODEL

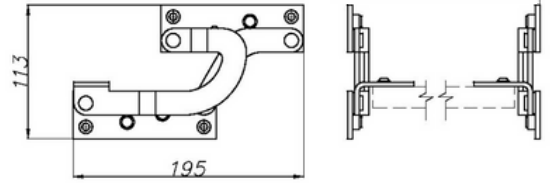
DETAILS

PT-021.02



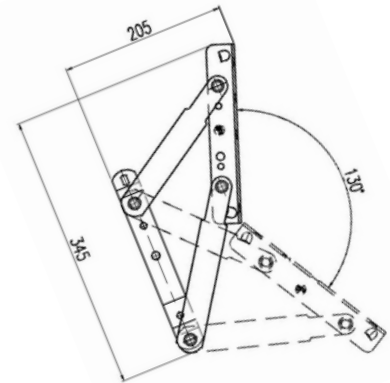
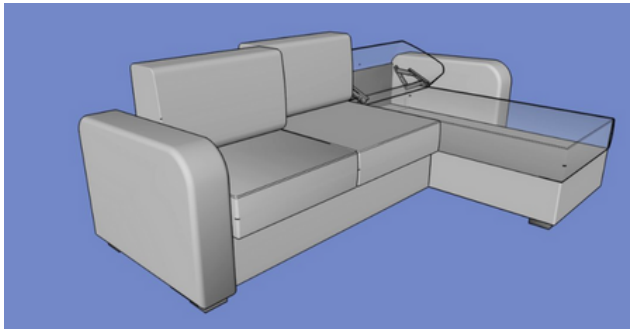
The lift performs the function of changing the position of the backrest front to back.

lift stroke \sim 150



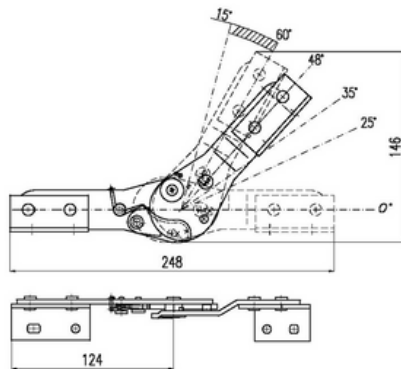
One of the important elements of the function is the connector, which stabilizes and stiffens it, so that the required comfort of use is ensured. Our wide range of products will allow you to choose a connector in the right width.

PT-014.13



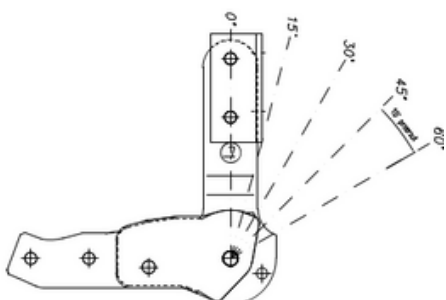
The lift is designed for installation in corner sofas. The lift allows you to change the angle of the backrest from a sitting position to a semi-reclining position with a 130-degree angle, creating a RELAX function.

ZW-001.01

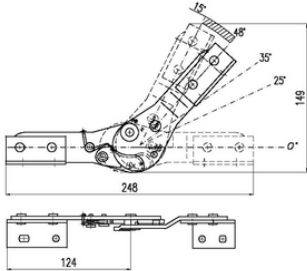


Use: armrest


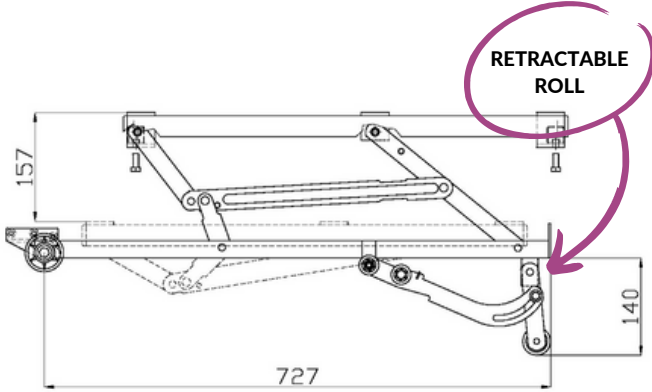
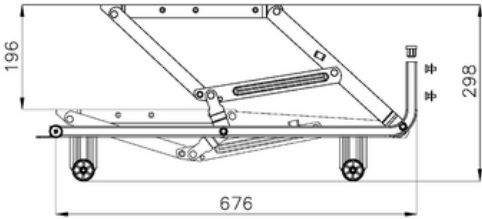
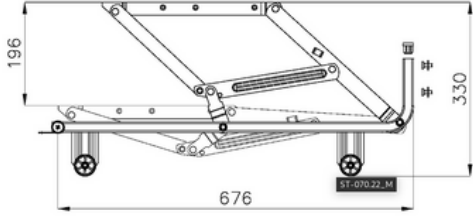
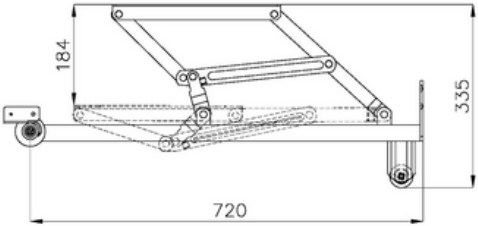
ZW-011.17



Use: armrest

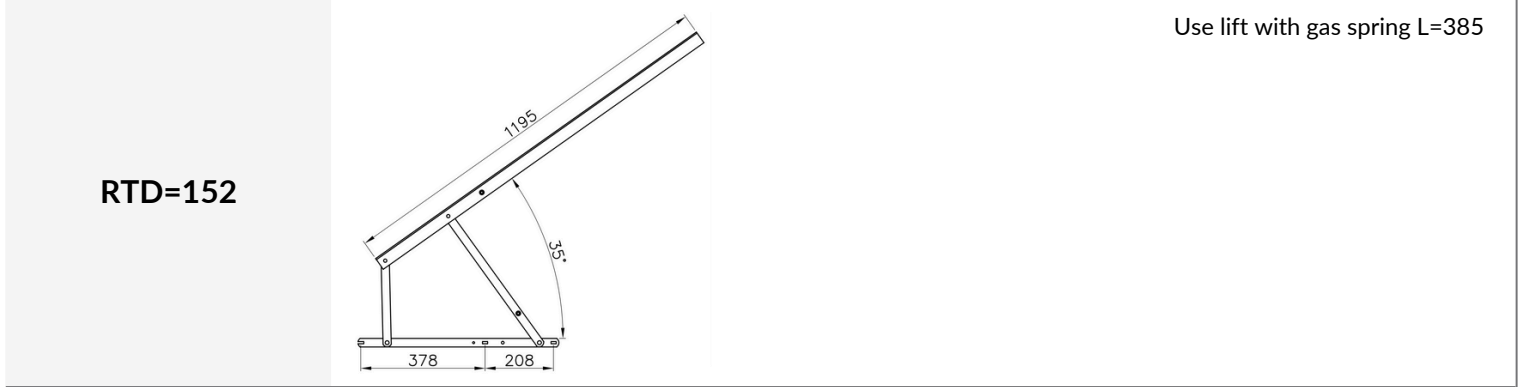
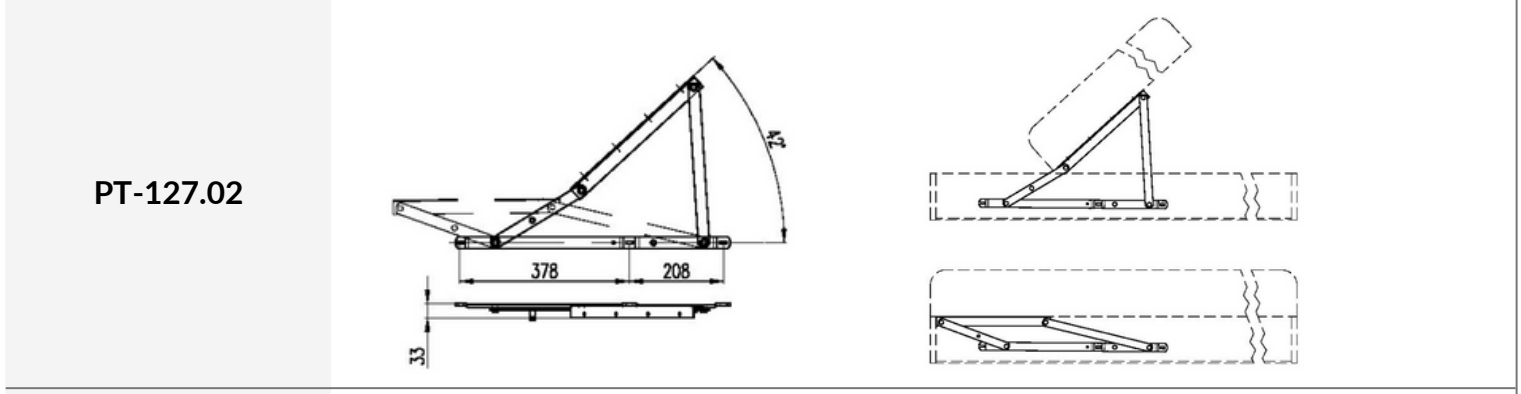
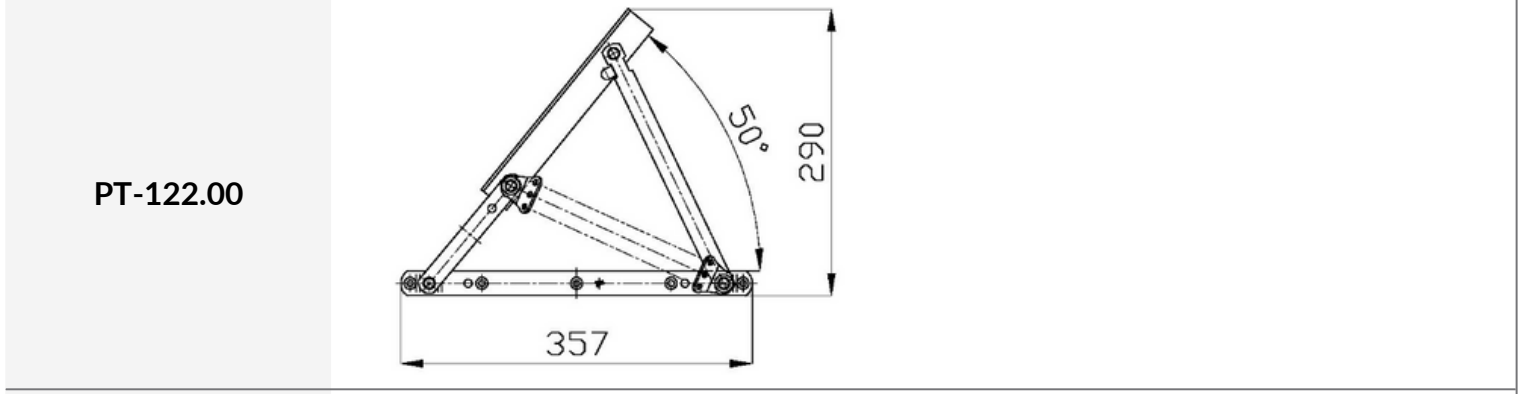
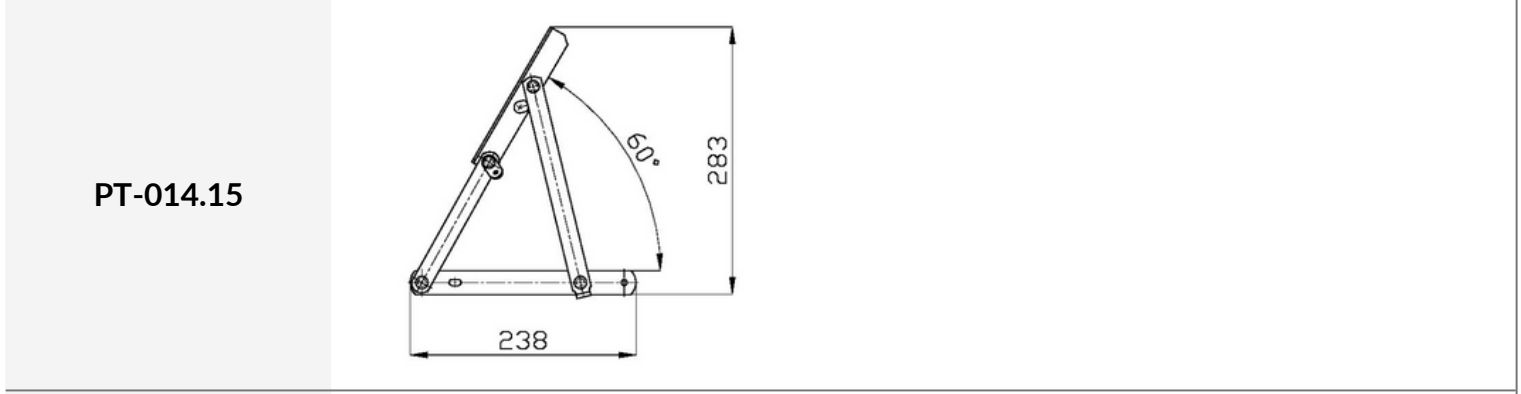
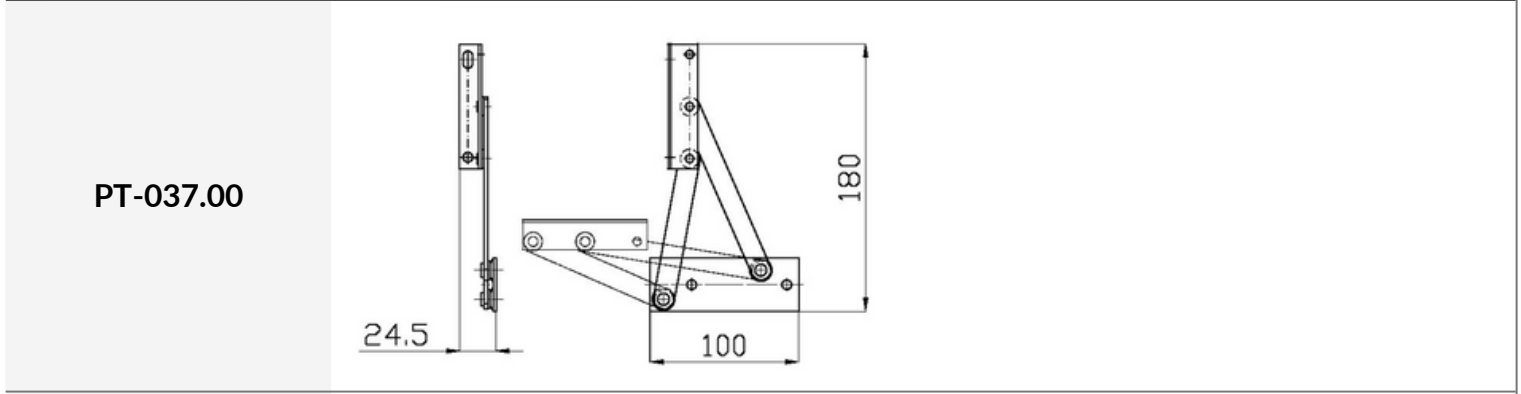
MODEL	DETAILS
<p>ZW-001.02</p>	 <p>Use: armrest</p>

CORNER SLIDE-OUT MECHANISMS (THICK FOAM)

MODEL	DETAILS
<p>ST-052.06</p>	 <p>Height of furniture legs = 100 mm</p> <p>The racks are packaged in parts, providing great transportation options.</p> <p>The design of the frame provides the possibility of using high sponge up to 100mm while maintaining all the ergonomic parameters of the furniture</p>  <p>RETRACTABLE ROLL</p>
<p>ST-070.02</p>	
<p>ST-070.22</p>	
<p>ST-070.21</p>	

MODEL	DETAILS	
PT-006.12		
ST-001.00		
ST-050.00	<p>Height of furniture legs = 100 mm*</p> <p>*A variant is also available for furniture with legs up to 130 mm high (Rtd=192).</p>	
ST-101.33		
ST-101.43		

MODEL	DETAILS
-------	---------



Use lift with gas spring L=385

MODEL	DETAILS
-------	---------

PT-001.06			
-----------	--	--	--

PT-001.01			
-----------	--	--	--

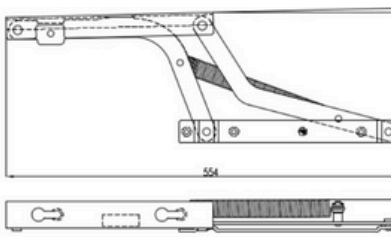
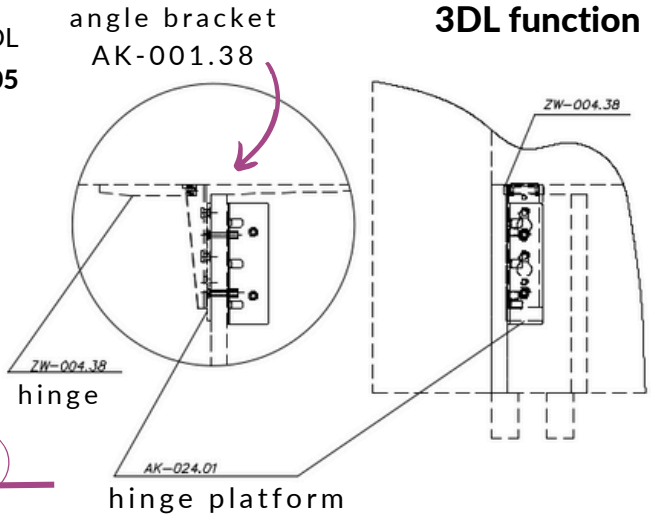

Arms 1 and 2 made of 5 mm thick metal sheet

RTD=166			
---------	--	--	--

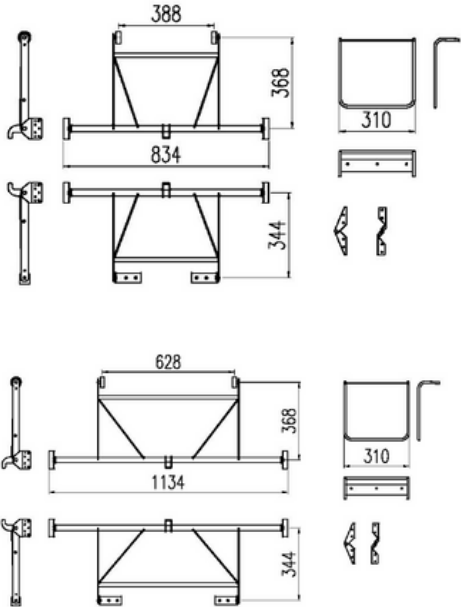
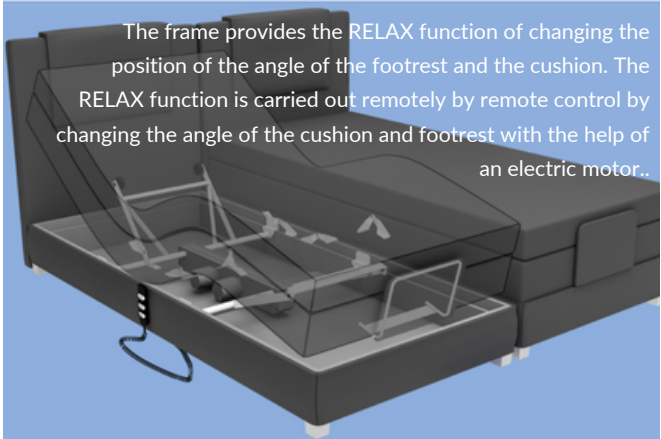
Made entirely of 5 mm thick metal sheet

RTD=82			
--------	--	--	--

Sofa lift close to the wall

MODEL	DETAILS
<p>PT-015.06</p>	 <p>The lift performs the function of unfolding the bed, thus allowing to increase the sleeping surface.</p> <p>A supplementary function for the 3DL type lift is provided by the AK-037.05 stabilizer and SP-002.12 springs.</p> <p>Fittings set for 3DL function</p> <ul style="list-style-type: none"> angle bracket AK-001.38 hinge ZW-004.38 hinge platform AK-024.01  

BED RELAXATION FUNCTION

MODEL	DETAILS														
<p>GROUP ST-102</p>	  <p>The frame provides the RELAX function of changing the position of the angle of the footrest and the cushion. The RELAX function is carried out remotely by remote control by changing the angle of the cushion and footrest with the help of an electric motor..</p> <p>Additional required accessories: AK-063.01 electric motor</p> <p>We offer frames in many widths</p> <table border="1" data-bbox="395 1870 1540 2172"> <thead> <tr> <th>Catalog no.</th> <th>Width</th> </tr> </thead> <tbody> <tr> <td>ST- 32515</td> <td>534</td> </tr> <tr> <td>ST- 32514</td> <td>634</td> </tr> <tr> <td>ST-102.28</td> <td>730</td> </tr> <tr> <td>ST-102.23</td> <td>834</td> </tr> <tr> <td>ST-102.26</td> <td>934</td> </tr> <tr> <td>ST-102.25</td> <td>1134</td> </tr> </tbody> </table>	Catalog no.	Width	ST- 32515	534	ST- 32514	634	ST-102.28	730	ST-102.23	834	ST-102.26	934	ST-102.25	1134
Catalog no.	Width														
ST- 32515	534														
ST- 32514	634														
ST-102.28	730														
ST-102.23	834														
ST-102.26	934														
ST-102.25	1134														



CONTACT US

www.luupo.pl

hello@luupo.pl



Sales Department

Anna Szumińska

+48 504 247 773

anna@luupo.pl

ul. Przemysłowa 1
87-162 Lubicz near/Toruń
Poland





LUUPO SP. Z O.O.
2024